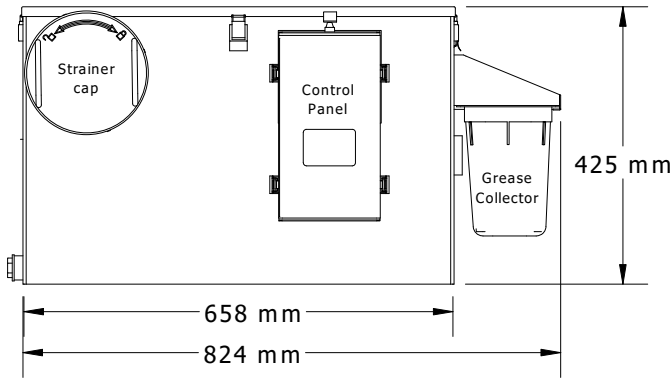


GGX25 Grease Guardian 230 VAC Specification (mm)

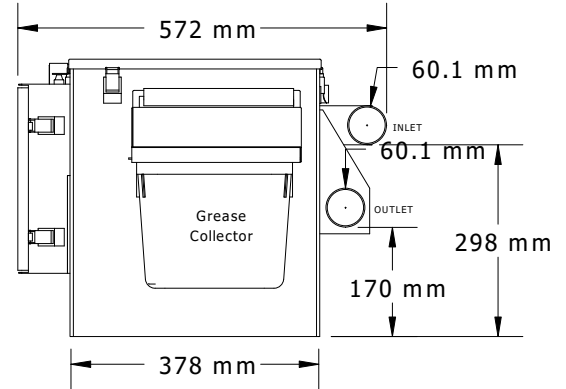
System features:

Fully automatic grease removal system with PLC controller; Dry basket solids strainer for improved hygiene; No internal user tank maintenance required; Universal flow direction; Pipework and electrical connections concealed from view. Options Include: internal spray bar system, aeration system

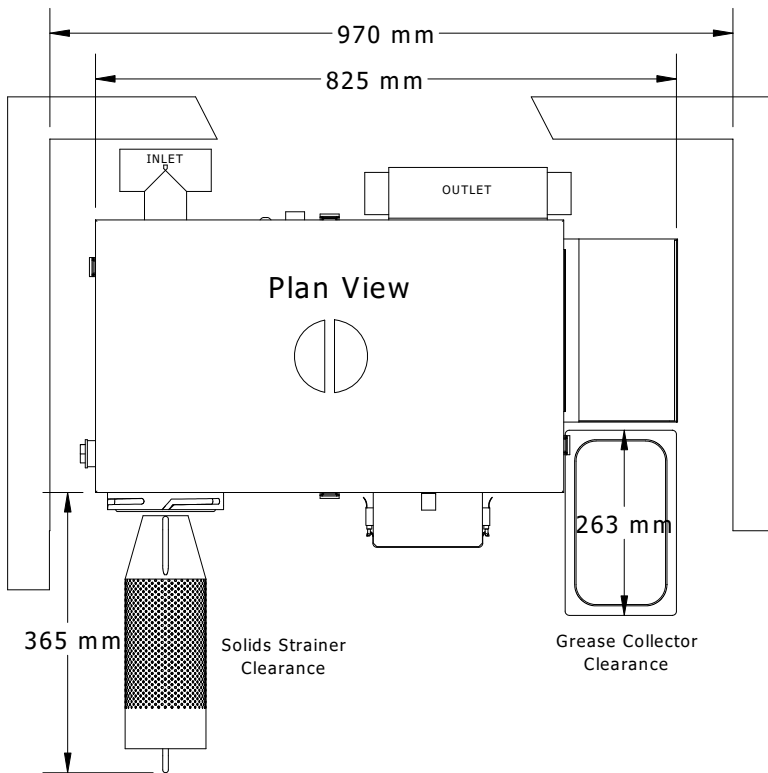
Front View



End View



Minimum Floor-space Recommendation



KEY INSTALLATION NOTES:

- Allow for the minimum clearances shown
- Allow adequate access to slide-in strainer & slide-in grease collector from front.
- Inlet port is left and right handed
Outlet port is left and right handed
- Keep outlet piping at 1:40 fall.
- User supplied rubber adjustable pipe connectors. Use supplied Inlet & outlet caps for non-used ports.
- Only connect mains power after filling system with water until the level stabilises
- Refer to ggx manual for full installation.

TECHNICAL DATA

Weight	38 kg ex works
Material	Exterior, 16 gauge stainless steel, bright finish
Interior	Stainless Steel and Acetal Plastic Components
Tank Capacity	60 litres
Maximum Flow Rate	1.58 Litres per Second
Tank grease Retention Capacity	57.4 pounds (NSF verified)
Solid Strainer Capacity	6.6 pounds/2.99 kg
Skimming Rate	5 litres per hour
Progammig/Control	24 hour, 7 day, multi functional digital
Electrical Load	230VAC, 1025Watts, 4.46 AMPS