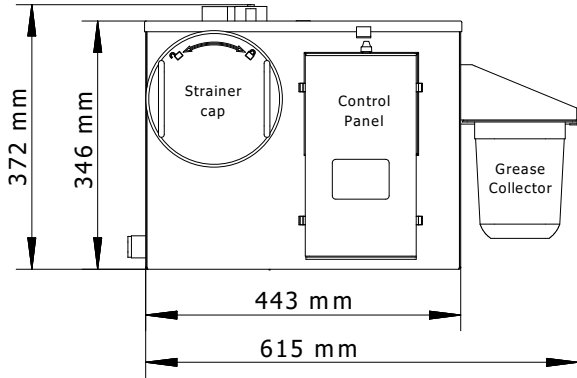


# GGX7 Grease Guardian 230 VAC Specification (mm)

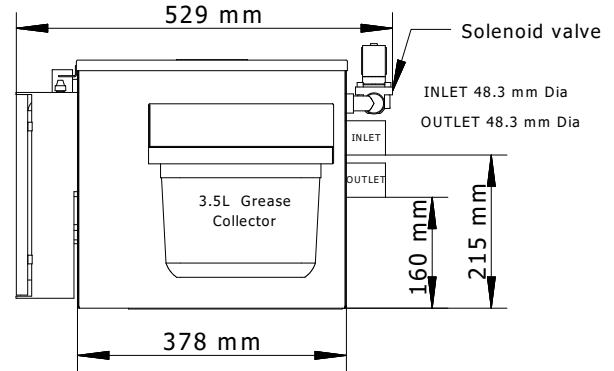
**System features:**

Fully automatic grease removal system with PLC controller, Dry basket solids strainer for improved hygiene, Automatic Surface Scum wash with level replenishment for low flow applications (when connecting low flow combi ovens), No internal tank user access required, Ununiversal flow direction, Pipework and electrical connections concealed from view. Options Include air blower system upgrade.

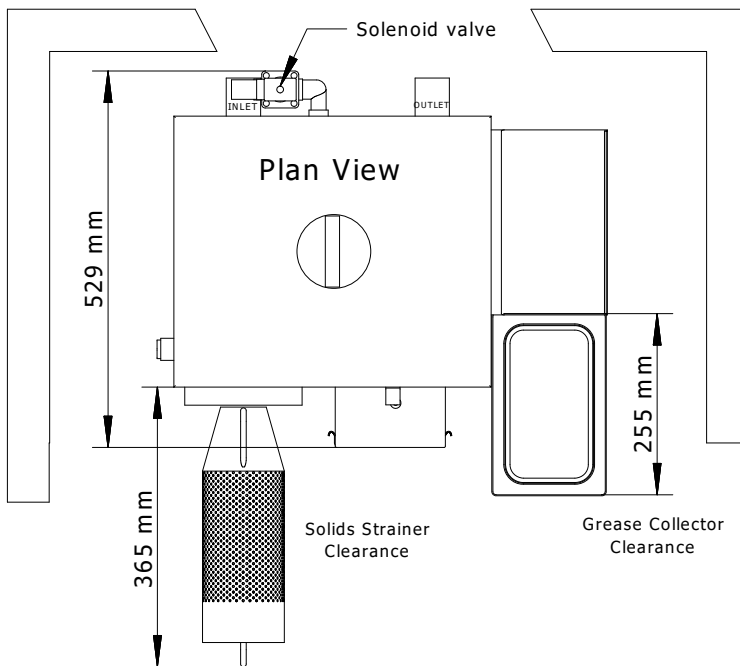
**Front View**



**Right End View**



**Minimum Floor-space Recommendation**



**KEY INSTALLATION NOTES:**

- Allow for the minimum clearances shown
- Allow adequate space at front for slide-in strainer & slide-in grease collector.
- Keep outlet piping at 1:40 fall.
- System is supplied with rubber pipe connectors for connection to nominal pipe size 1.5 inch (38/40mm)
- Only connect mains power after filling system with water until the level stabilises
- System requires 2-3 bar pressure hot water supply for on board solenoid valve, 1/2 inch connection
- Unit requires single phase supply with dedicated 30mA RCD/ELCB
- Refer to ggx manual for full installation.

**TECHNICAL DATA**

Weight	30 kg ex works
Material	Exterior, 16 gauge stainless steel, bright finish
Interior	Stainless Steel and Acetal Plastic Components
Tank Capacity	25 litres
Maximum Flow Rate	0.5 Litres per Second
Tank grease Retention Capacity	15+ pounds/6.8kg
Solid Strainer Capacity	6.6 pounds/2.99kg
Skimming Rate	5 litres per hour
Progammg/Control	24 hour, 7 day, multi functional digital
Electrical Load	230VAC, 643Watts, 2.8 AMPS